

aumro TF11

Instruction Manual



Aumro (Xiamen) Electronics Co., Limited
www.aumro.com

INDEX

| | |
|--|------------|
| BRIEF INTRODUCTION OF AUMRO..... | 错误! 未定义书签。 |
| TF11 SPECIFICATIONS | 4 |
| TF11 STANDARD BILL OF MATERIALS | 5 |
| TF11 INSTALLATION INSTRUCTIONS | 6 |
| (I) MOTHERBOARD, POWER SUPPLY, EXTENSION CARDS | 6 |
| (II) CD-ROM、OLED、IR | 11 |
| (III) HDD | 15 |
| (IV) FINAL INSTALLATION | 17 |

aumro www.aumro.com

Brief introduction of aumro

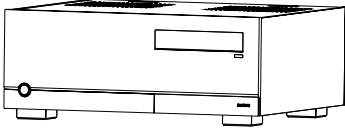

AUMRO established in 2005, is a professional provider for HTPC. AUMRO specializes in designing, researching and developing, manufacturing and marketing HTPC and related products. From initial technical cooperation to present integrating design, research and development, manufacture and marketing, our group has experienced the diversified management pattern exploration. We have an outstanding design team; the appearances of all products are designed by Silverman. Lenny—the chief designer of French Omwave Corporation, after reuniting native senior structural designers carry on particular design on internal structure, converged Chinese and Western, each our productions are professional, finely and modern design. Started from designing and researching products to complete manufacturing, we will have been taking the high standard principle all along. Now our products could be divided into two kinds: TF series and TT series. AUMRO chassis has incomparable innovative and exquisite characteristics; advanced technology, fashionable design and high quality material bring AUMRO excellent quality and elegant style. We could provide various services for you, from simple HTPC supply to our design team provide OEM, ODM etc. for you, which all belong to our business scopes. We sincerely welcome you visit our company.

TF11 Specifications

Features Overview

- Dimensions: 435mmx394mmx173mm (LxWxH)
- Motherboard: Can accept a full size ATX motherboard
- CD-ROM: Standard 5.25" ODD compatible
- HDD: Space for 6 x 3.5" Standard Hard Disk Drive
- Power Supply: Compatible with full ATX power supplies
- Card reader, 2x USB, 1x Firewire/1394, Audio 3.5mm Input and Output
- 7x Standard Full Height Expansion Cards
- Optional Aumro OLED display kit, 100% Windows MCE compatible
- Optional Aumro IR and remote kit, 100% Windows MCE compatible
- All aluminium outer panels
- Included drive cage rubber vibration grommits
- Included Gloves, Screwdriver and Spare screws

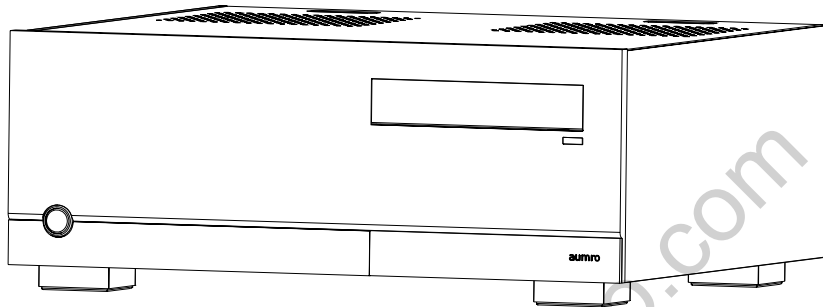
TF11 Standard Bill of Material

| Name | Qty. | Picture | Content |
|-----------------------|-------|---|--|
| aumro TF11 Case | 1PC |  | |
| Spare parts and tools | 1Pack |  | Screw driver 6×150 1PCS Glove 1PCS ScrewFM3.5×5 5PCS ScrewPM3×5 25PCS HDD ScrewPM3.5×8 35PCS ScrewPWM3×4 5PCS ODD button 1PCS |

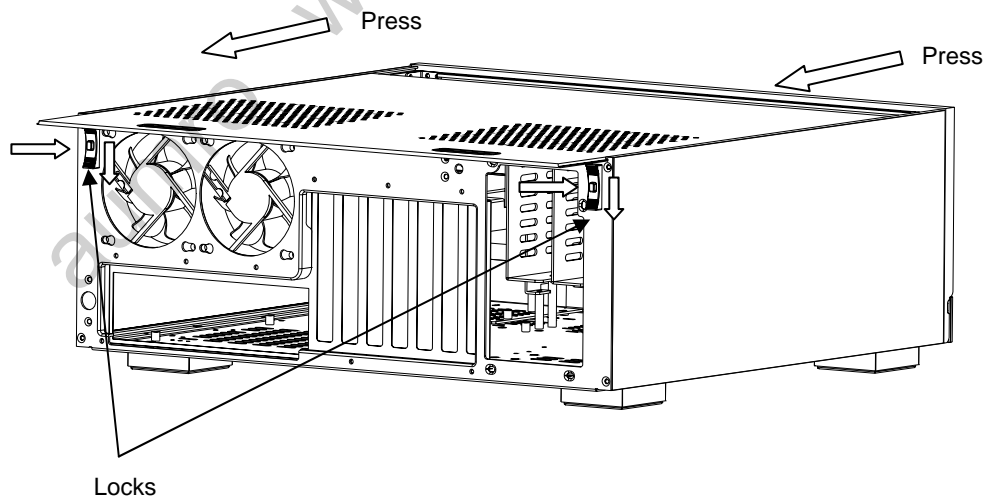
TF11 Installation Instructions

(I) Motherboard, power supply, extension cards

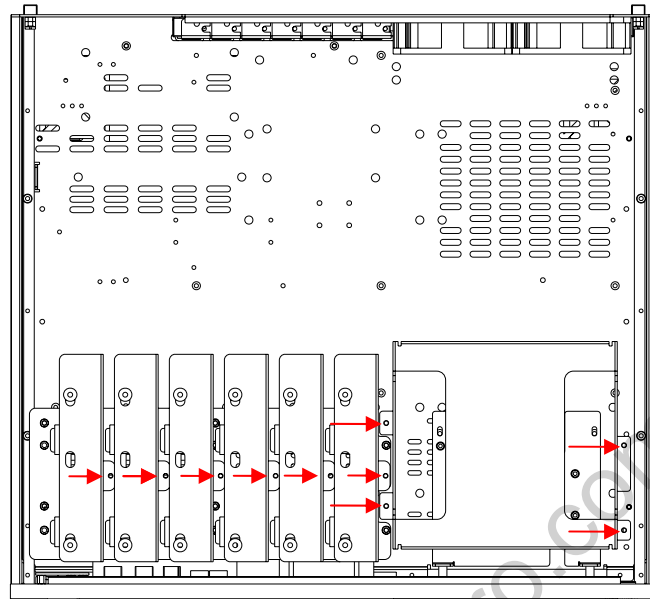
1. Put TF11 in an acilinic level (Take care of the case itself and avoid scratch)



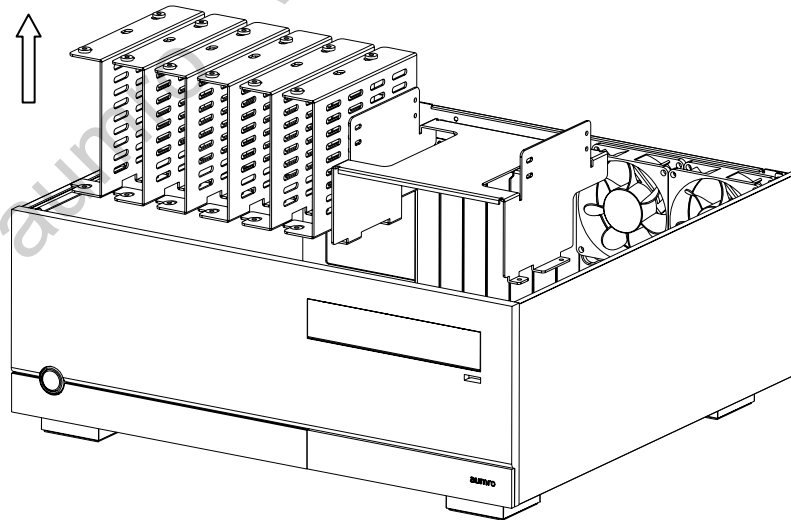
2. Press the locks and take out the upper panel



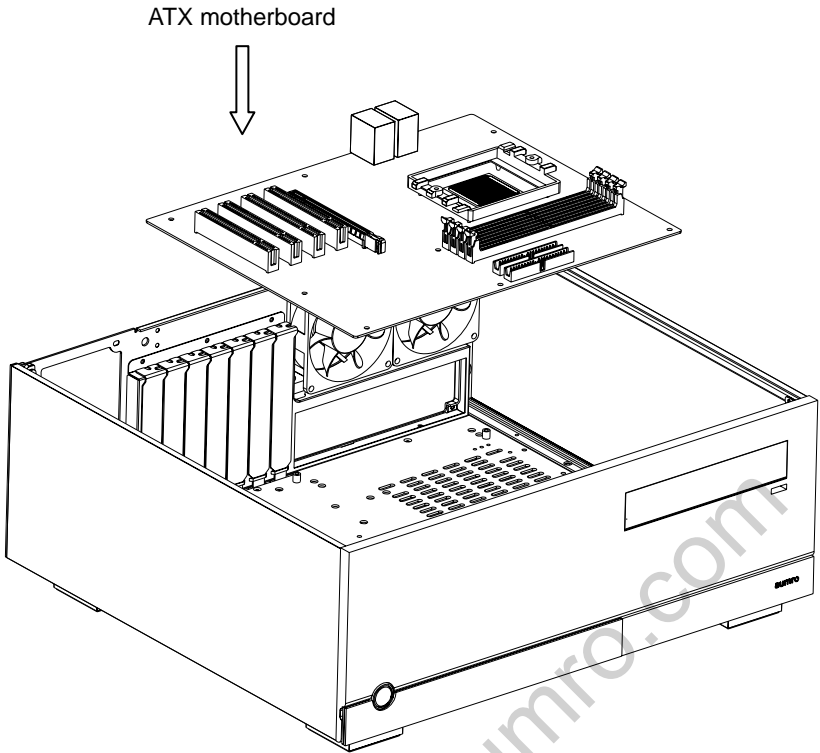
3. Unscrew the screws which are for fixing HDD bracket and CD-ROM bracket



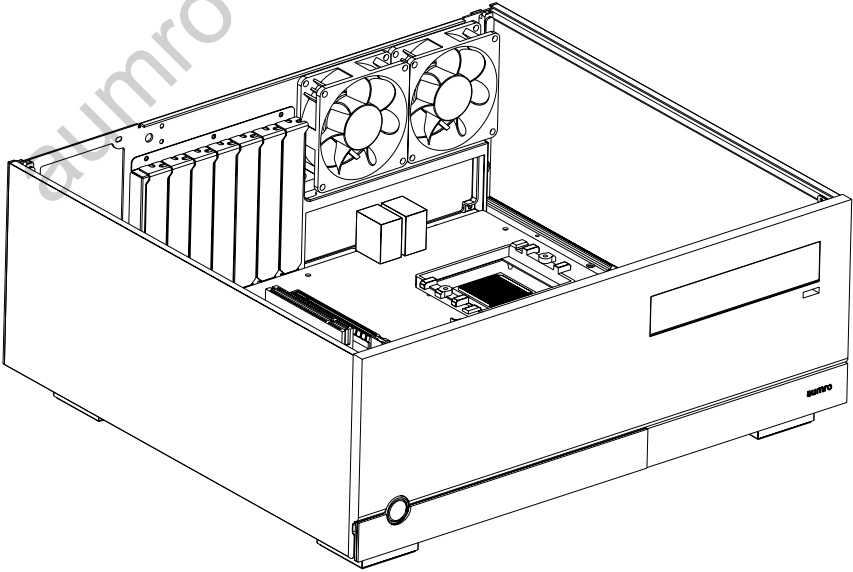
4. Take out HDD bracket and CD-ROM bracket



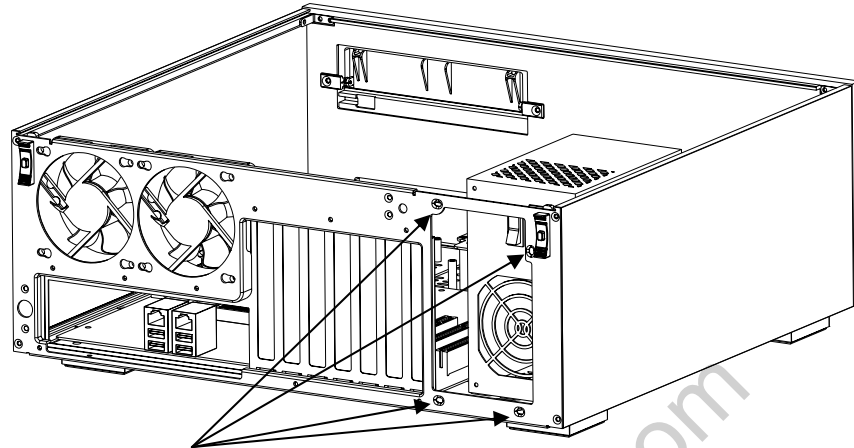
5. Place motherboard and make sure the 9 fixing holes are in the same position as those holes in the case. (Take ATX as an example)



6. Fix the motherboard with 9 screws. Then it is ready for motherboard

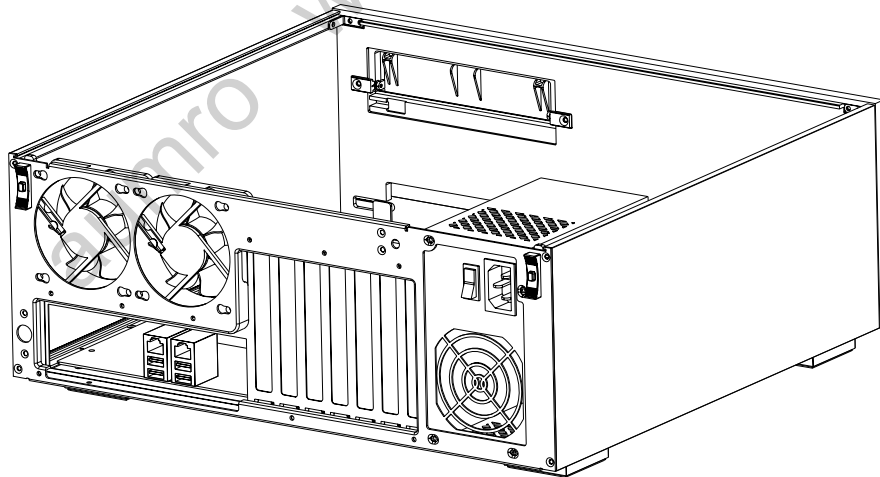


7. Put ATX power supply into the case. Make sure the holes are in the same position in the case

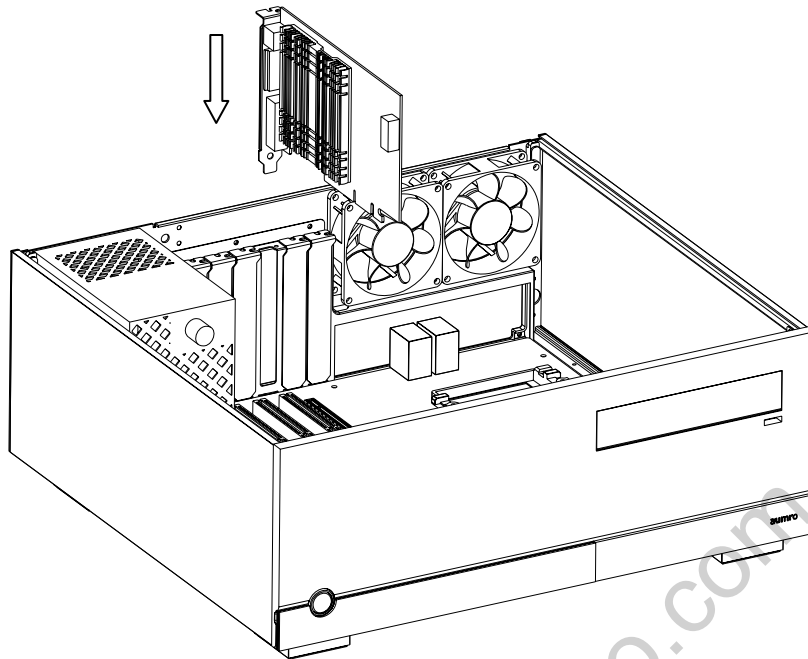


These 4 holes are to fix power supply

8. Fix the power supply with 4 standard screws

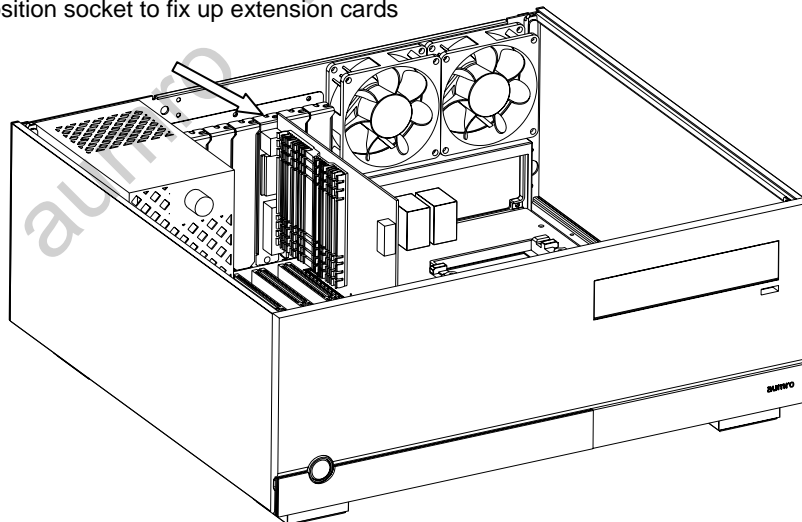


9. Place extension card into the socket (Take PCI for PCI/E as an example)



10. Put the extension card to the bottom. Make sure the metal flake in the extension card in place of the position socket. And then, fix it up with screws

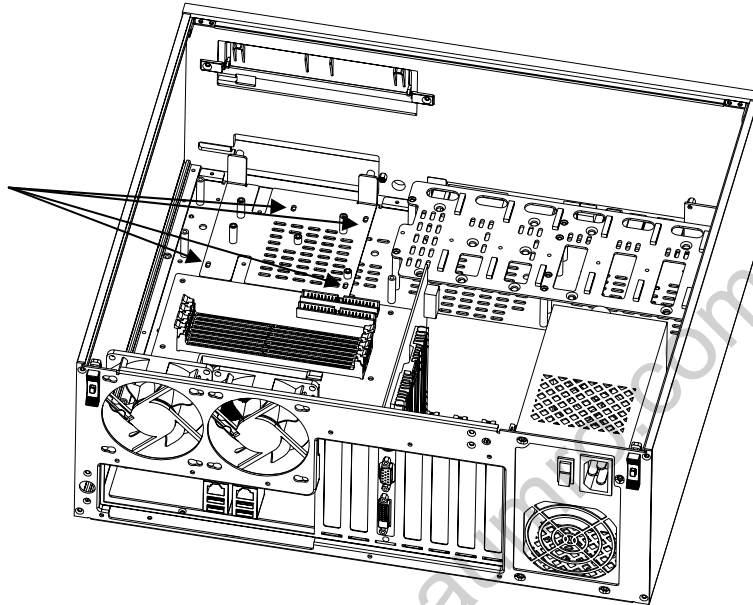
Holes in position socket to fix up extension cards



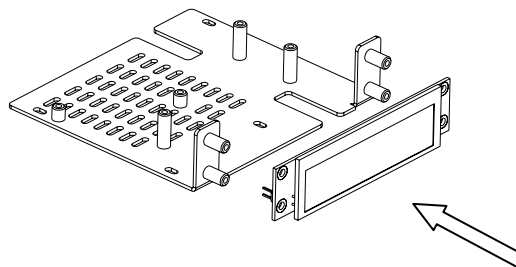
(II) CD-ROM, OLED and IR installation

1. Unscrew the 4 screws in OLED's and IR's PCBs bracket. Take out the bracket

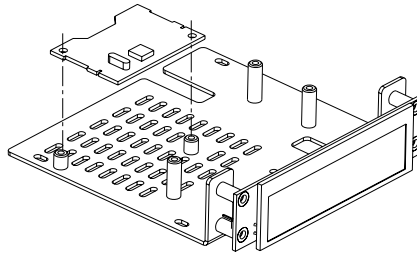
4 screws in the
OLED's and IR's
PCBs bracket



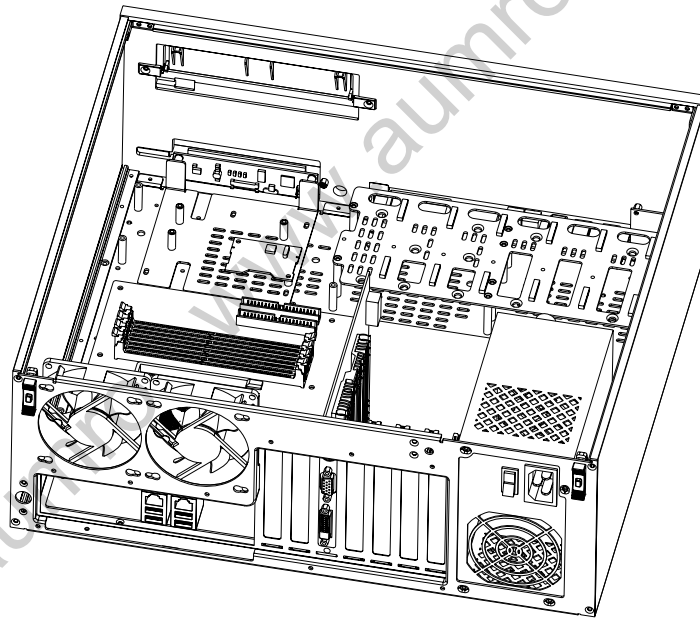
2. Fix the 4 holes in OLED with those in the bracket



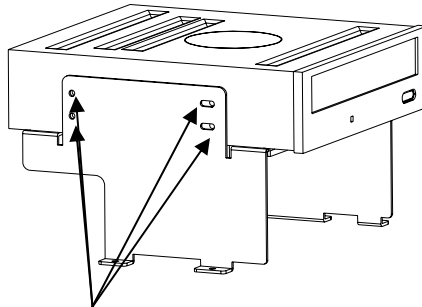
3. Fix OLED with standard screws. Place IR's PCB in the holes for fixing



4. Fix IR's PCB with standard screws. Return the fixing bracket back to the case. And screw up the 4 screws back

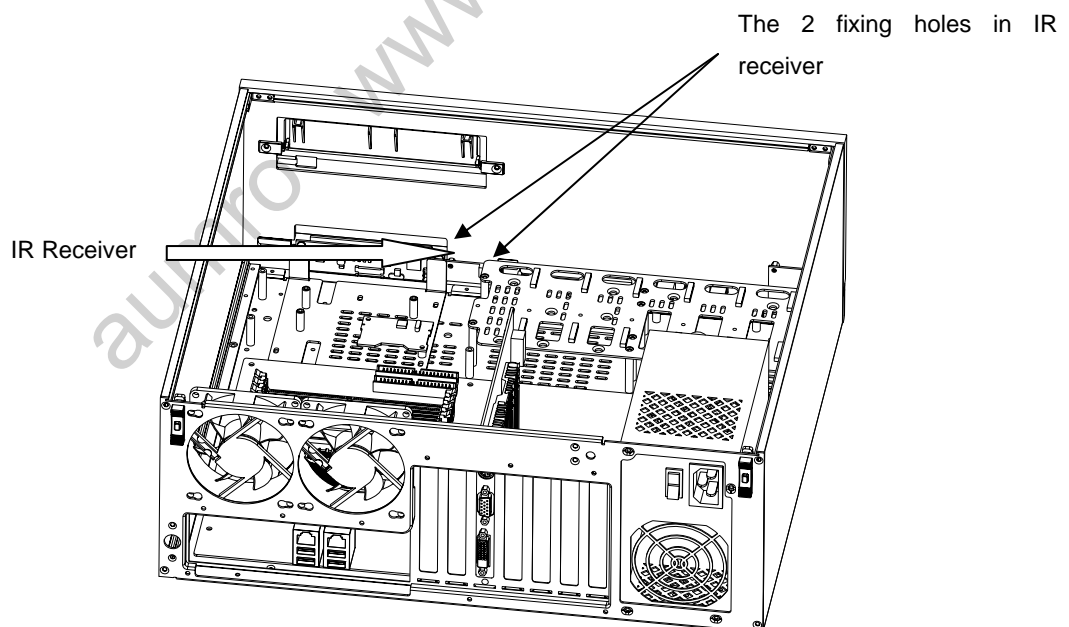


5. Place CD-ROM in the bracket. Fix with 8 screws

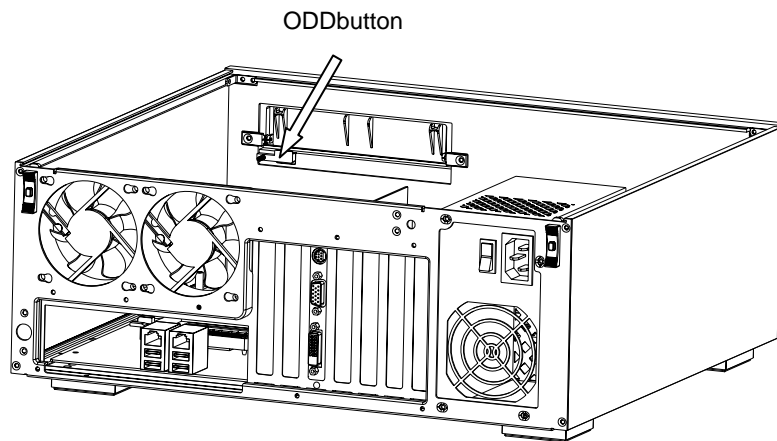


8 screws to fix CD-ROM, 4 in each side

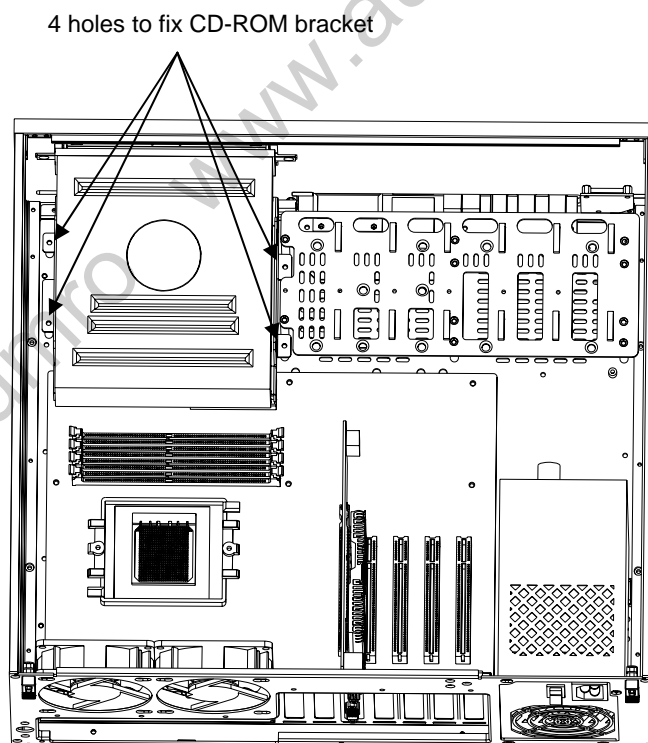
6. Place the 2 fixing holes of IR receiver in the 2 hexagonal copper pillars. Fix it with 2 standard screws



7. Take ODD button from the tool pack. And then, install the ODD button in the place showed in the following picture. PS: Make sure the spring in ODD button is in inner of TF8

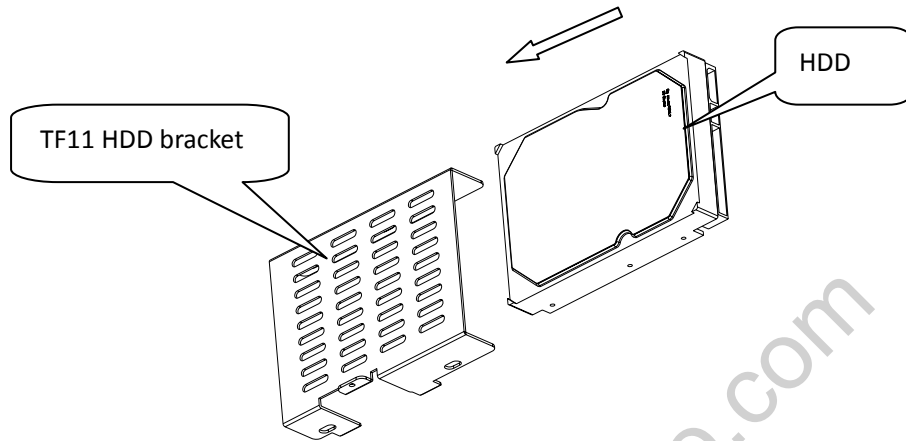


8. Return the CD-ROM bracket back to the case. And fix it with 4 screws

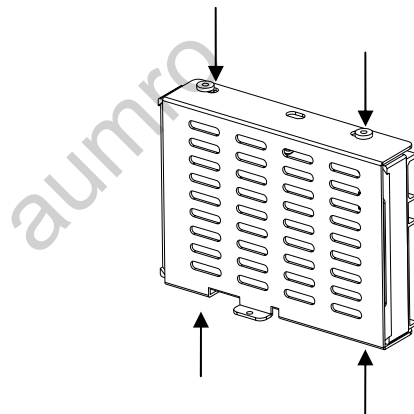


(III) HDD installation

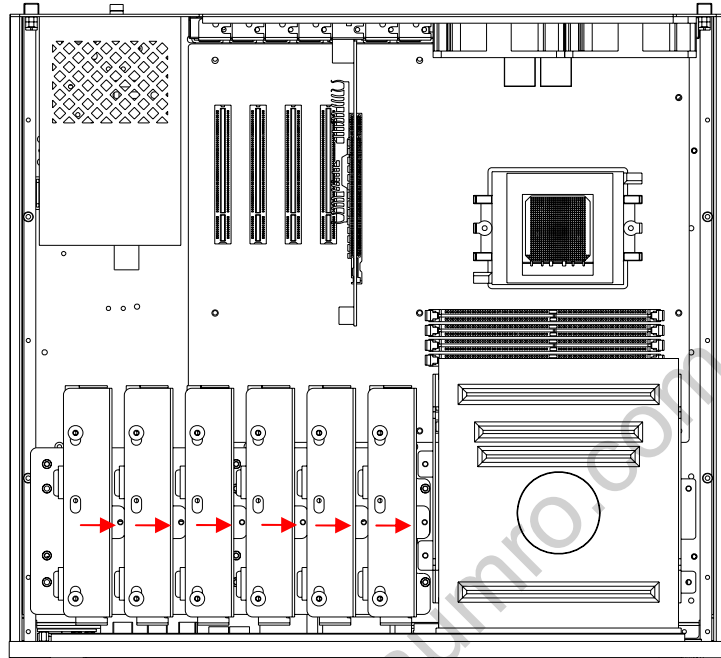
1. Insert HDD into the bracket;



2. Fix HDD with 4 screws in bracket

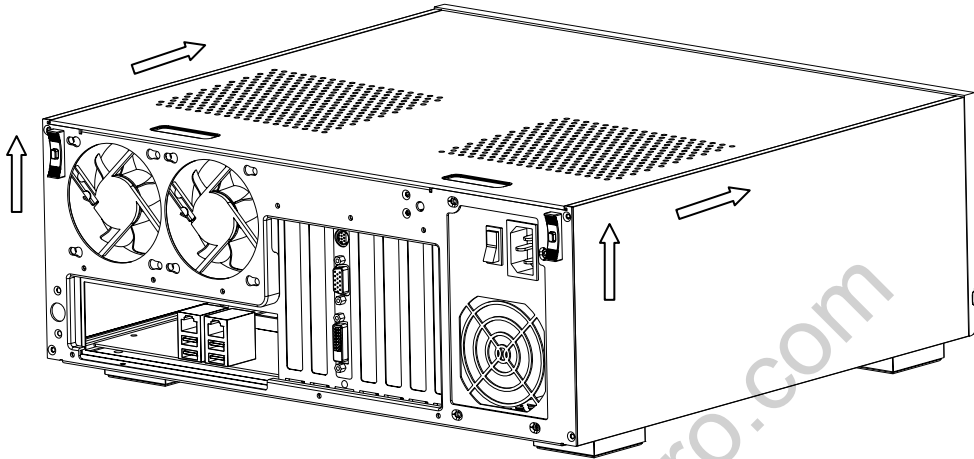


3. Fix HDD brackets into the case. There are 6 screws needed



(IV) Final Installation

1. Close the upper panel and lock it



2. It is ready for you. Enjoy it!





For more information, please visit www.aumro.com